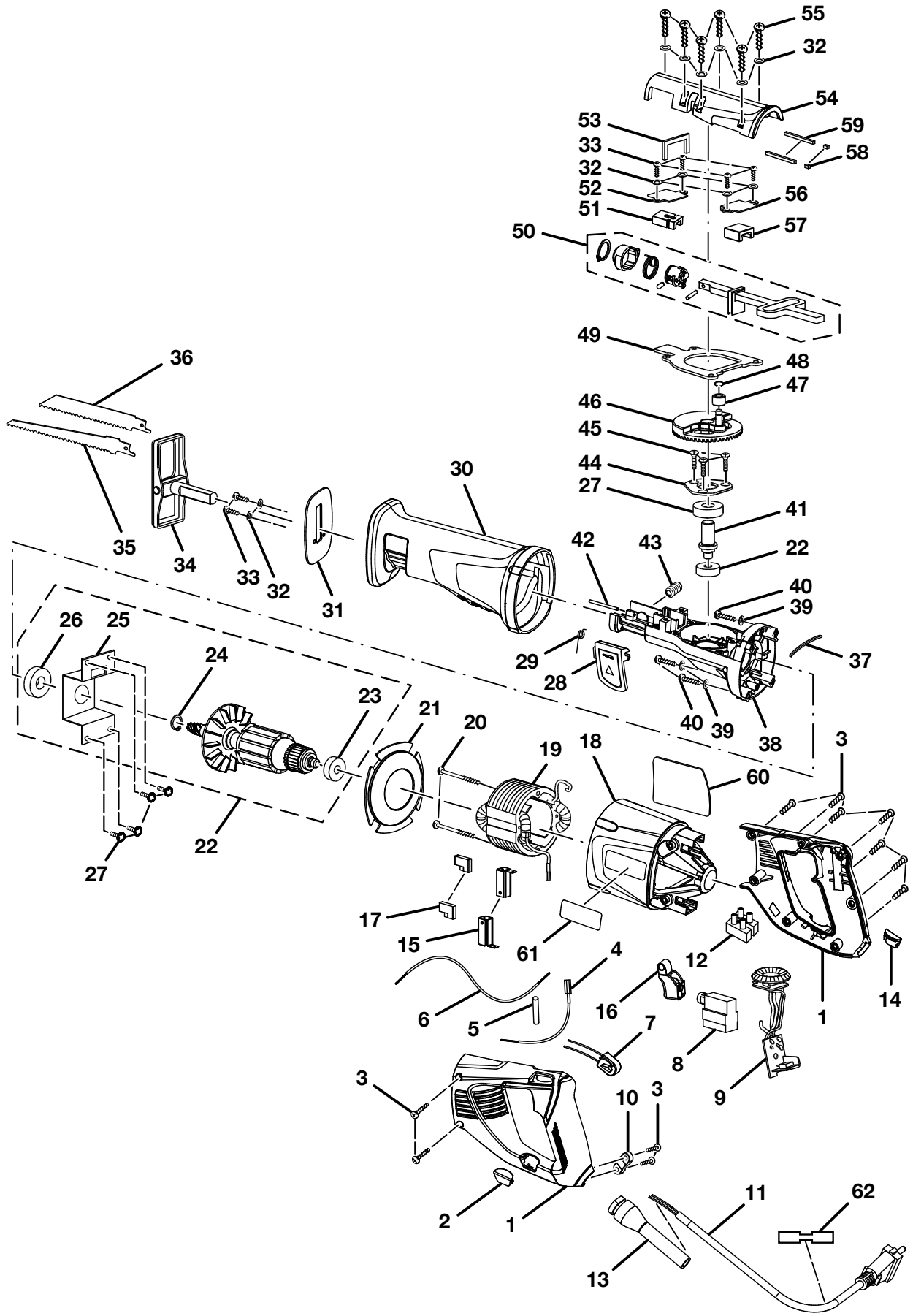


**RYOBI
VARIABLE SPEED
RECIPROCATING SAW
MODEL NO. RJ165V
REPAIR SHEET**

RYOBI RECIPROCATING SAW – MODEL NUMBER RJ165V



RYOBI RECIPROCATING SAW – MODEL NUMBER RJ165V

The model number will be found on a plate attached to the motor housing. Always mention the model number in all correspondence regarding your **RECIPROCATING SAW** or when ordering repair parts.

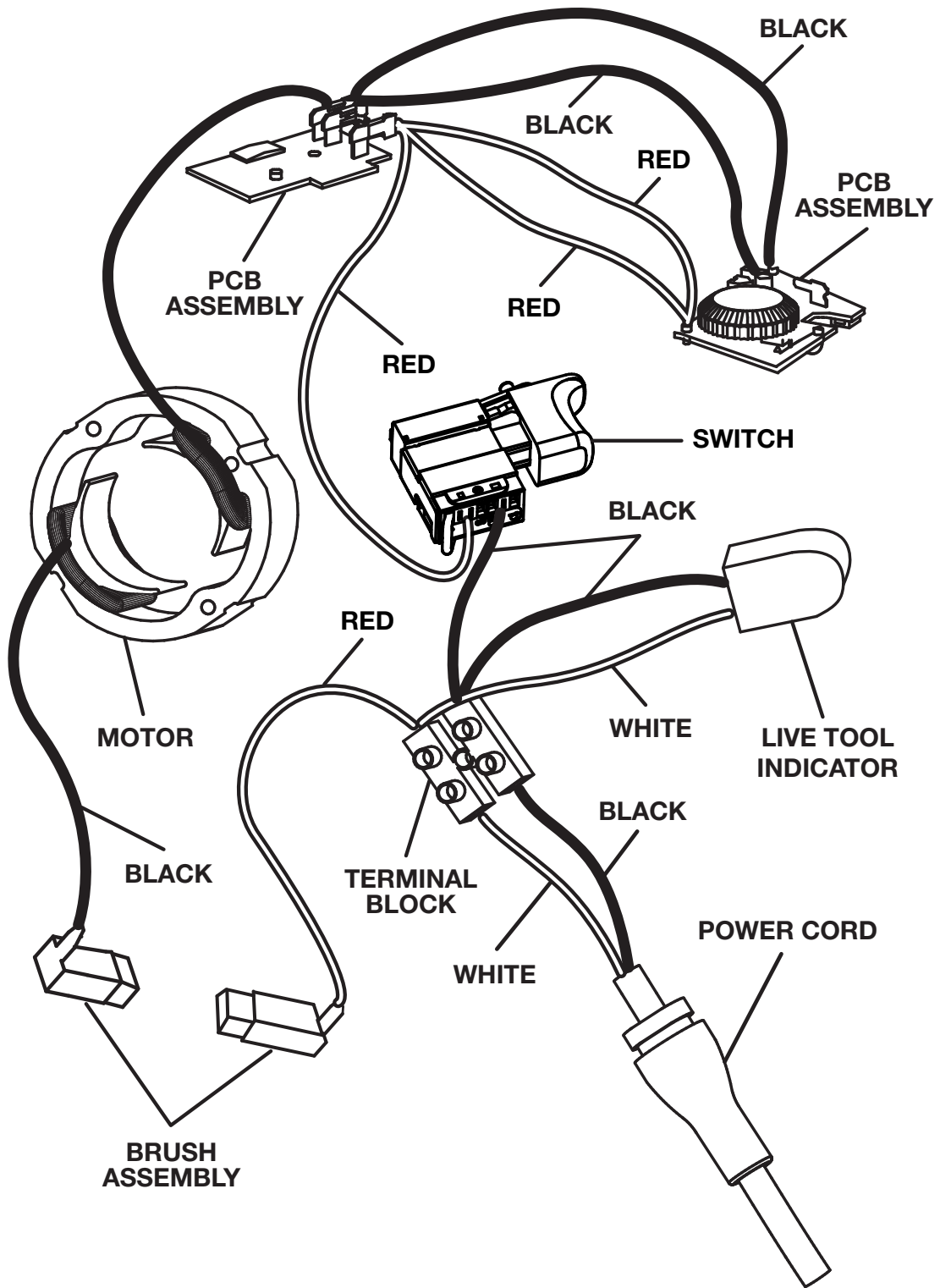
PARTS LIST

KEY PART NO. NUMBER	DESCRIPTION	QTY.	KEY PART NO. NUMBER	DESCRIPTION	QTY.
1	200682001	HANDLE ASSEMBLY..... 1	33	6621202 * SCREW (M4 x 10 mm)..... 6	
2	516933001	LEFT LIVE INDICATOR LENS ... 1	34	300216034 SHOE ASSEMBLY 1	
3	660208052	* SCREW (M4 x 16 mm)..... 11	35	690347002 WOOD CUTTING BLADE (6 in.)... 1	
4	290061150	RECEPTACLE & WIRE ASSEMBLY 1	36	690348003 METAL CUTTING BLADE (4 in.).. 1	
5	700003001	SHRINK TUBE 1	37	9066701 GEAR CASE SEAL..... 1	
6	770318131	BLACK LEAD 1	38	6453501 GEAR CASE..... 1	
7	290251013	LIVE INDICATOR..... 1	39	680863003 SPRING WASHER 4	
8	7628601	SWITCH 1	40	660259008 * SCREW (M4.5 x 35 mm)..... 4	
9	280013189	CIRCUIT BOAD ASSEMBLY 1	41	6940401 GEAR SHAFT..... 1	
10	5950101	CORD CLAMP 1	42	6833409 PIN..... 1	
11	730372009	POWER CORD 1	43	660169060 * SCREW (M6 x 14 mm)..... 1	
12	690331001	TERMINAL BLOCK..... 1	44	6839502 SHAFT MOUNTING PLATE 1	
13	5927402	BEND RELIEF 1	45	660213019 * SCREW (M4 x 16 mm)..... 3	
14	516934001	RIGHT LIVE INDICATOR LENS.. 1	46	3036203 GEAR & PIN ASSEMBLY 1	
15	290069077	BRUSH ASSEMBLY 2	47	6829601 NEEDLE BEARING 1	
16	516932001	TRIGGER 1	48	6770401 RETAINING RING..... 1	
17	560199002	TERMINAL SLEEVE 2	49	6934501 YOKE PLATE..... 1	
18	516929001	MOTOR HOUSING 1	50	300003101 OUTPUT SHAFT ASSEMBLY ... 1	
19	741199001	FIELD 1	51	610730001 GUIDING BLOCK..... 1	
20	660156002	* SCREW (M4 x 50 mm)..... 2	52	6934201 COVER PLATE 1	
21	516935001	BAFFLE..... 1	53	5682601 RUBBER SEAL 1	
22	200698001	ARMATURE ASSEMBLY (INC. KEY NOS. 23-26)..... 1	54	516928001 GEAR CASE COVER 1	
23	6814104	BALL BEARING (608ZZ)..... 2	55	660165007 * SCREW (M4 x 18 mm)..... 6	
24	6939601	C-RING 1	56	6934901 COVER PLATE 1	
25	6950301	BEARING COVER..... 1	57	6935601 GUIDING BLOCK..... 1	
26	6939501	BALL BEARING (6001ZZ)..... 2	58	902176001 FOAM SEAL..... 2	
27	660228012	* SCREW (M3 x 8 mm)..... 4	59	902175001 FOAM SEAL..... 2	
28	301232006	RELEASE LEVER ASSEMBLY 1	60	940114212 DATA LABEL 1	
29	6950201	TORSION SPRING..... 1	61	940114213 LOGO LABEL..... 1	
30	561990001	RUBBER BOOT 1	62	940114214 CORD TAG LABEL..... 1	
31	632394001	GUIDE PLATE 1		987000321 OPERATOR'S MANUAL	
32	670030004	SPRING WASHER 12		03-21-08 (REV:00)	

⚠ WARNING: Improper repair of a double insulated tool can result in damage to the double insulation system possibly causing electrical shock or electrocution. Any repairs requiring disassembly of your tool requires safety testing and should only be performed by a Ryobi Authorized Service Center. For the service center nearest you call 1-800-525-2579.

* Standard Hardware Item – May Be Purchased Locally

RYOBI RECIPROCATING SAW – MODEL NUMBER RJ165V



WIRING DIAGRAM