

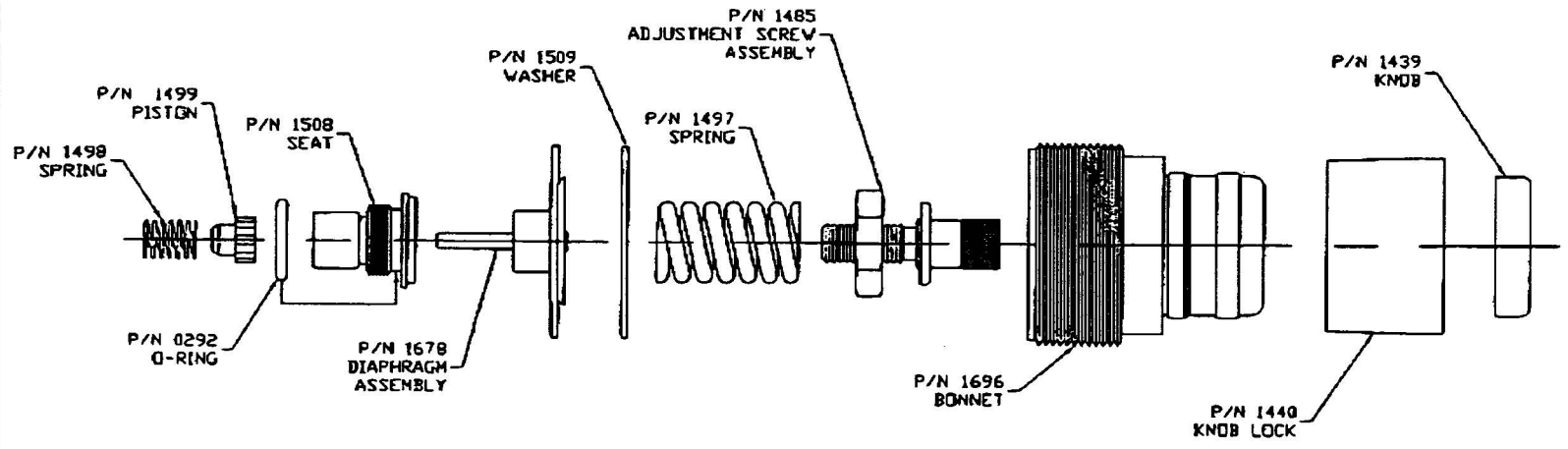


conrader
valves

R. CONRADER COMPANY
1319 SASSAFRAS STREET, P.O. BOX 924
ERIE, PA. 16512 814/452-4631

THIS DRAWING CONTAINS INFORMATION CONFIDENTIAL TO CONRADER. LOANED SUBJECT TO THE CONDITIONS THAT IT NOT BE USED OR CAUSE TO BE USED IN ANY WAY HARMFUL TO CONRADER AND BE RETURNED ON DEMAND.

SCALE X:X
BY D.STAUFFER



DESCRIPTION	REGULATOR ASSEMBLY		INDUN	DRAWING NO.
FOR	DETAIL B		VALVE	1484
FIRST DW	MATERIAL	CODE	ISSUED	REVISED
			08-08-97	08-09-97
			MAT. TYPE	SUPPLIERS
				XX-XX-XX
			PAGE 3 OF 4	

REFERENCED
MANDATORY
OPTIONAL

DISTRIBUTION	LOCATION	TEST
TOOL LIST	ACTIVITY	FINISH

AUG 19 1998