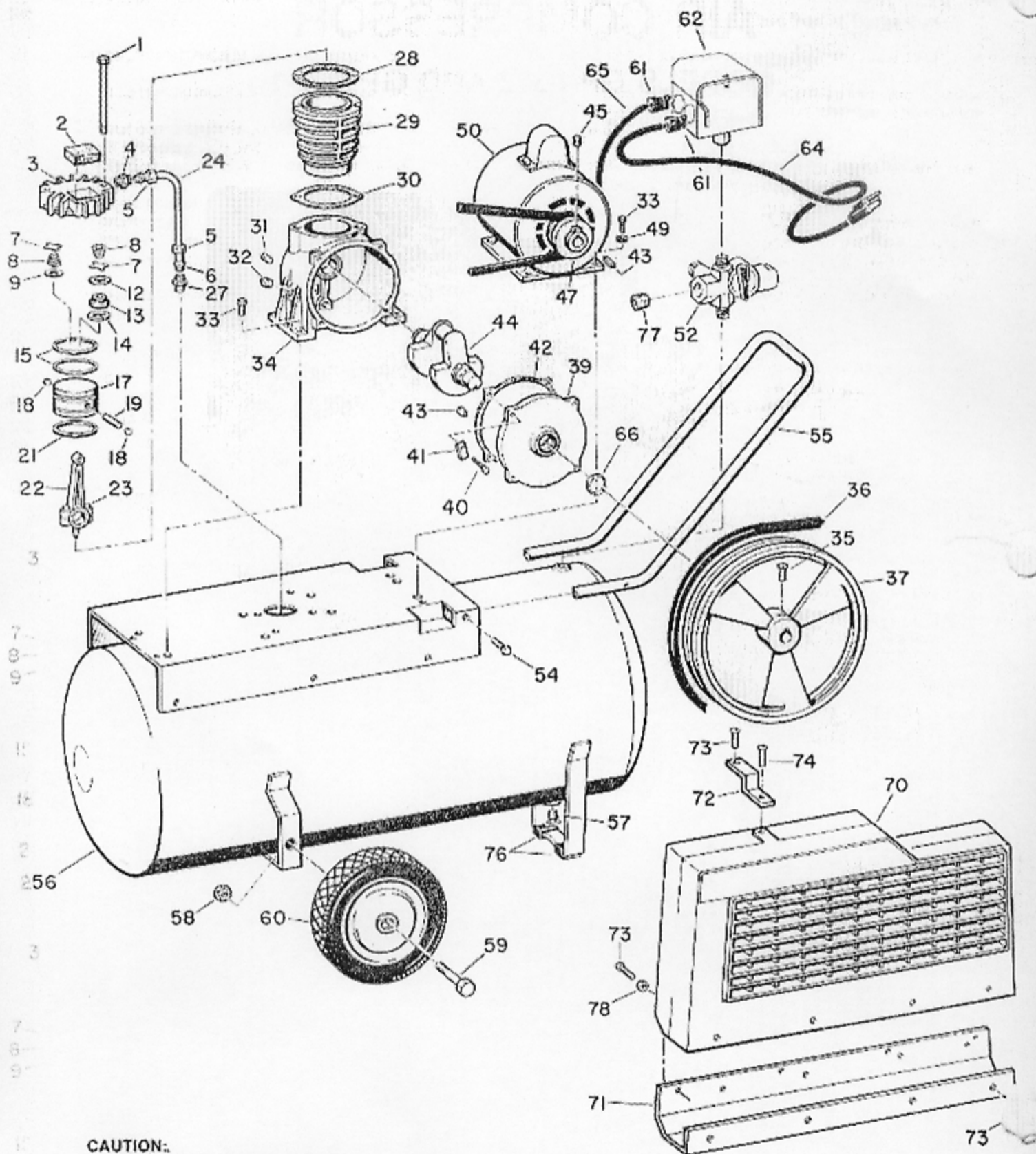


MODEL NUMBERS GP 7512 AND GP 575-1



CAUTION:

The maximum working pressure is 100 PSI. Do not operate the unit above this maximum working pressure. The pressure switch on this unit is set to cut out at 100 PSI and cut in at 70 PSI.

PARTS LIST

KEY PART NO. NO.	DESCRIPTION	KEY PART NO. NO.	DESCRIPTION		
1	ST-482	Head Bolts (2 used)	47	PU-37	Motor Pulley GP 7512
2	ES-15	Intake Air Filter		PU-84	Motor Pulley GP 575-1
3	ES-3	Cylinder Head	49	ST-112	Washer $\frac{3}{8}$ " x $\frac{3}{8}$ " x $\frac{5}{16}$ ", Stl.
4	ST-496	Compression Connection $\frac{1}{4}$ " NPT x $\frac{3}{8}$ " Tube	50	MC-111	Electric Motor $\frac{3}{4}$ hp Model GP 7512
5	ST-397	Compression Nut $\frac{3}{8}$ " (2) used		MC-113	Electric Motor $\frac{1}{2}$ hp Model GP 575-1
6	ST-398	Compression Sleeve $\frac{3}{8}$ " (2 used)	52	V-2053-01	Shut Off and Safety Valve
7	ES-7	Valve Disc (2 used)	54	*ST-122	Sq. Hd. Setscrew $\frac{1}{4}$ "-20 x $\frac{1}{2}$ " lg.
8	ES-9	Valve Spring (2 used)	55	VS-10	Handle
9	ST-477	Retainer Ring Truarc #5008-81 (in-take)	56	AR-70-32	Air Receiver Assembly GP 575-1
12	ES-8	Valve Seal (Exhaust)		AR-70-03	Air Receiver Assembly GP 7512
13	ES-10	Valve Body (Exhaust)	57	*ST-301	Male Drain Cock $\frac{1}{4}$ "-18
14	ST-487	Retainer Ring Truarc #N5001-93	58	ST-335	Lock Nut Hex $\frac{3}{8}$ "-16 (2 used)
15	PX-10	Compression Ring (2 used)	59	ST-334	Axle Bolts (2 used)
17	ES-6	Piston	60	WA-18	Wheel 6 x 1.50 Diamond Tread (2 used) GP 575-1
18	C-304	Welch Plug $\frac{3}{8}$ " Dia. Al. (2 used)		WA-24	Wheel 8 x 1.50 Diamond Tread (2 used) GP 7512
19	C-303	Piston Pin	61	ST-432	Strain Relief (2 used)
21	PX-15	Oil Ring	62	CW-2076-33	Pressure Switch
22	ES-11	Connecting Rod	64	EC-50-01	Motor Cord and Plug
23	*ST-479	Hex Hd. Cap Screw $\frac{1}{4}$ "-20 x 1" lg.	65	EC-80-00	Pressure Switch Cord
24	ES-19-00	Exhaust Tube (Head to Check Valve)	66	ST-481	Crankshaft Seal
27	CV-2025	Check Valve	70	BG-139-00	Belt Guard
28	XA-54	Head Gasket	71	BG-113	Belt Guard Channel
29	ES-18	Cylinder	72	BG-140-01	Belt Guard Bracket
30	XA-55	Cylinder Gasket	73	ST-424	Screw Pan Hd. 10-24 x $\frac{5}{16}$ " (10 used)
31	*ST-223	Oil Drain Plug $\frac{1}{2}$ "-27	74	ST-585	Plascrew
32	*ST-220	Oil Filler Plug $\frac{1}{4}$ "-18	76	ST-416	Rubber Feet
33	*ST-150	Self Tapping Screws $\frac{5}{16}$ "-18 x $\frac{1}{2}$ " lg. (8 used)	77	ST-225	Pipe Plug $\frac{1}{4}$ "-18
34	ES-1003	Crankcase Assembly (with Bearing)	78	ST-709-07	Washer (2 used)
35	ST-262	Setscrew $\frac{3}{8}$ "-16 x $\frac{3}{4}$ " lg.			
36	BT-3	V Belt GP 7512			
	BT-38	V Belt GP 575-1			
37	PU-61	Flywheel			
39	ES-1004	End Cap Assembly (with Bearing & Oil Seal)			
40	*ST-465	Swage Form Screw 10-24 x $\frac{5}{8}$ " lg. Fill. Slot			
41	ES-12	Crankcase Vent Valve			
42	XA-56	End Cap Gasket			
43	KE-9	Key (2 used)			
44	ES-2	Crankshaft			
45	ST-264	Set Screw $\frac{5}{16}$ "-18 x $\frac{1}{2}$ " lg.			

REPAIR AND MAINTENANCE KITS AVAILABLE

ES-1010	Gasket Kit
ES-1011	Valve Repair Kit
ES-1012	Piston Ring Set

NOT ILLUSTRATED

HA-2126	Air Hose
ST-338	Ground Clip
JB-2001-01	Airchuck

*Standard hardware item, may be purchased locally.

WHEN ORDERING REPAIR PARTS, ALWAYS GIVE THE FOLLOWING INFORMATION

- The part number
- The part name
- The model number
- The name of product