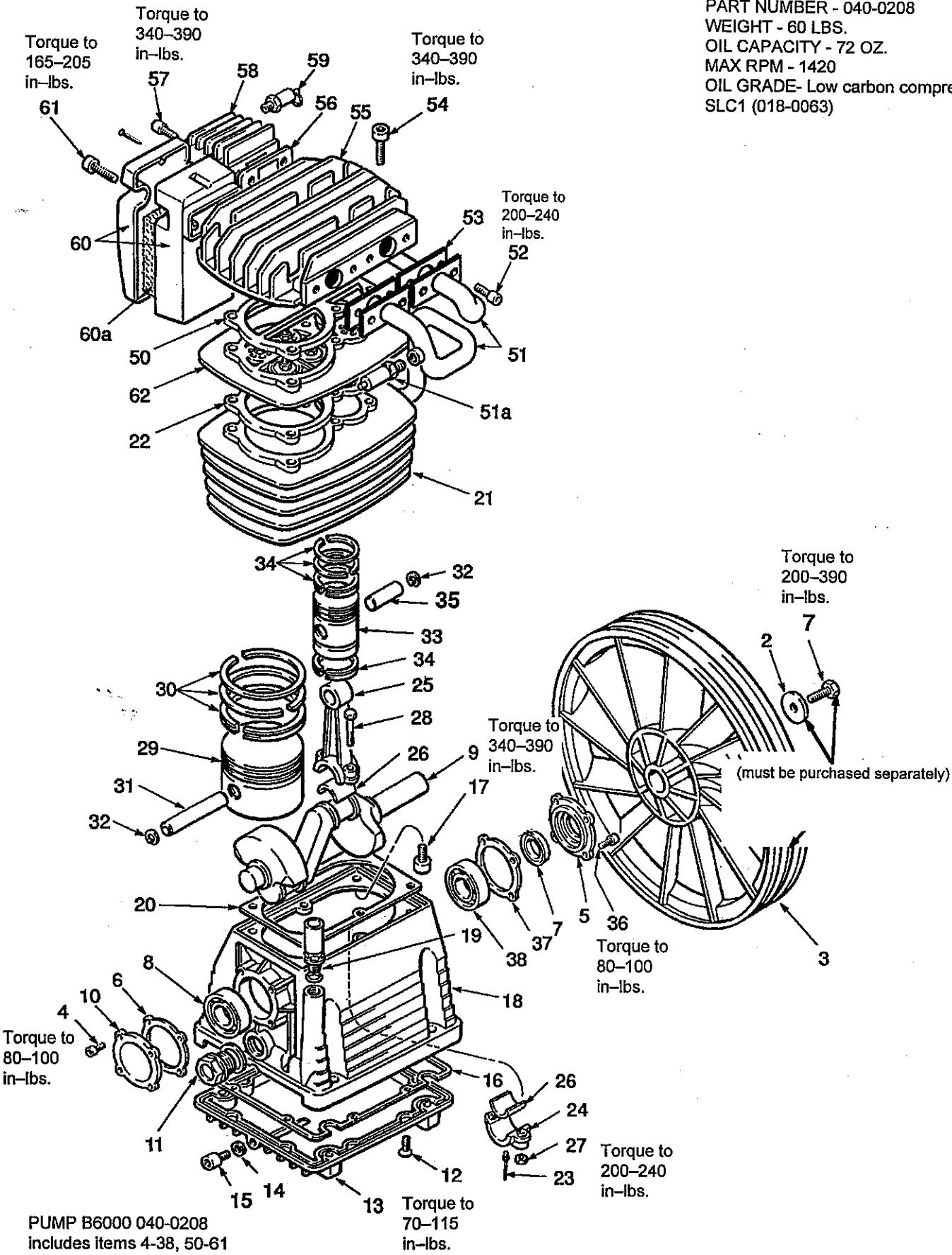


PARTS DRAWING

PUMP SPECIFICATIONS
 PART NUMBER - 040-0208
 WEIGHT - 60 LBS.
 OIL CAPACITY - 72 OZ.
 MAX RPM - 1420
 OIL GRADE- Low carbon compressor oil
 SLC1 (018-0063)



PUMP B6000 040-0208
 includes items 4-38, 50-61

SERVICE PARTS LIST

MODEL

B6000

| Item | Part No | Qty | Description |
|-------------------------------------|----------|-------|-----------------------------------|
| must be purchased separately | | | |
| 1 | 059-0138 | 1 | Bolt |
| 2 | 060-0052 | 1 | Washer |
| 3 | 044-0025 | 1 | Flywheel |
| 4 | 059-0135 | 4 | Bolt |
| 5 | 077-0057 | 1 | Cover |
| 6 | 046-0135 | 1 | Gasket |
| 7 | 046-0145 | 1 | Seal |
| 8 | 051-0039 | 1 | Bearing |
| 9 | 053-0039 | 1 | Crankshaft |
| 10 | 077-0053 | 1 | Cover |
| 11 | 032-0019 | 1 | Sight glass includes items 11a |
| 11a | 046-0254 | 1 | Washer |
| 12 | 059-0136 | 8 | Bolt |
| 13 | 077-0056 | 1 | Base |
| 14 | 060-0051 | 1 | Washer |
| 15 | 059-0137 | 1 | Bolt |
| 16 | 046-0142 | 1 | Gasket |
| 17 | 059-0134 | 6 | Bolt |
| 18 | 049-0022 | 1 | Crankcase |
| 19 | 056-0013 | 1 | Breather, includes item 19a |
| 19a | 046-0255 | 1 | O-ring |
| 20 | 046-0141 | 1 | Gasket |
| 21 | 050-0026 | 1 | Cylinder |
| 22 | 046-0140 | 1 | Gasket |
| 23 | 056-0014 | 2 | Splash rod |
| 24 | 047-0042 | 2 | Cap |
| 25 | 047-0041 | 2 | Rod |
| 26 | 051-0042 | 2 pr | Inserts |
| 27 | 058-0072 | 4 | Nut |
| 28 | 059-0139 | 4 | Bolt |
| 29 | 048-0044 | 1 | Piston |
| 30 | 054-0130 | 1 set | Ring set |
| 31 | 052-0022 | 1 | Wrist pin |
| 32 | 054-0105 | 4 | Retaining ring |
| 33 | 048-0045 | 1 | Piston |
| 34 | 054-0131 | 1 set | Ring set |
| 35 | 052-0023 | 1 | Wrist pin |
| 36 | 059-0171 | 4 | Bolt |
| 37 | 046-0143 | 1 | Gasket |
| 38 | 051-0040 | 1 | Bearing |
| 50 | 046-0139 | 1 | Gasket |
| 51 | 082-0016 | 1 | Tube, includes item 51a |
| 51a | 136-0049 | 1 | Valve, pressure relief |
| 52 | 059-0130 | 4 | Bolt |
| 53 | 046-0199 | 2 | Gasket |
| 54 | 059-0126 | 6 | Bolt |
| 55 | 042-0044 | 1 | Head |
| 56 | 046-0131 | 1 | Gasket |
| 57 | 059-0127 | 2 | Bolt |
| 58 | 082-0009 | 1 | Aftercooler |
| 59 | 136-0032 | 1 | Valve |
| 60 | 019-0155 | 1 | Air filter assy includes item 60a |
| 60a | 019-0105 | 1 | Element |
| 61 | 059-0230 | 2 | Bolt |

AVAILABLE SERVICE KITS must be purchased separately

| | | | |
|----|----------|---|---|
| | 165-0069 | 1 | Complete overhaul kit |
| | 046-0188 | 1 | Gasket repair kitde includes items 6, 16, 20, 22, 37, & 50 |
| 62 | 043-0111 | 1 | Valve plate assy |