

Sears

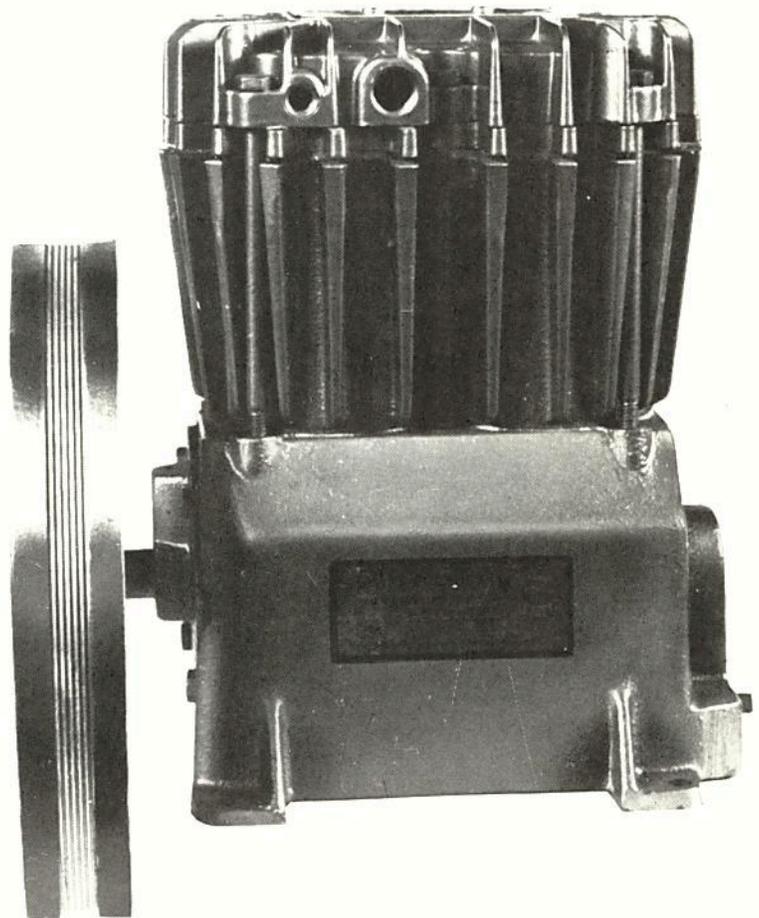
owners manual

TWIN CYLINDER COMPRESSOR

MODEL NO.
106.175110

CAUTION:
Read Rules for
Safe Operation
and Instructions
Carefully

- Operation
- Repair Parts



SEARS, ROEBUCK AND CO.
CHICAGO, ILL. 60684 U.S.A.

SIMPSONS-SEARS LIMITED, TORONTO, CANADA

OPERATING INSTRUCTIONS

UNPACKING INSTRUCTIONS:

When you unpack your unit, inspect for damage or missing parts. If there is any damage or missing parts, the transportation company's agent should make a notation to the effect on the bill. Send the bill to the Sears, Roebuck and Company location from which the equipment was purchased. If available, give the invoice number on all orders. Following this procedure will enable Sears to quickly handle transportation damages.

ASSEMBLY INSTRUCTIONS:

Place flywheel (32) on crankshaft (26) with set screw (33) on outside. Tighten set screw (33) on key (27). Keep this tight as a loose flywheel will cause a knocking noise.

CAUTION: ADD OIL BEFORE OPERATING COMPRESSOR.

Remove oil filler plug (22) from compressor crankcase and add 10W-40 detergent motor oil until it covers half of the filler plug threads. Replace the filler plug. Run the compressor without pressure for 15-20 minutes to lubricate piston and bearings. Your compressor is now ready for use.

MAINTENANCE:

The filter felt (3) will gather dirt and paint and should be cleaned as needed. Check oil level daily when operating. Change oil every 100 hours. Replace with 10W-40 detergent motor oil.

AIR DELIVERY:

Air deliveries and horsepower rating using a 1725 RPM motor will be as follows:

H.P.	50 PSI		100 PSI	
	MOTOR PULLEY INCHES	DELIVERY SCFM	MOTOR PULLEY INCHES	DELIVERY SCFM
1	3.5	6.1	3.5	5.2
1-1/2	4.0	6.9	4.0	5.8
2	4.25	7.4	4.25	6.1

H.P.	150 PSI	
	MOTOR PULLEY INCHES	DELIVERY SCFM
1-1/2	4.0	4.9
2	4.25	5.3

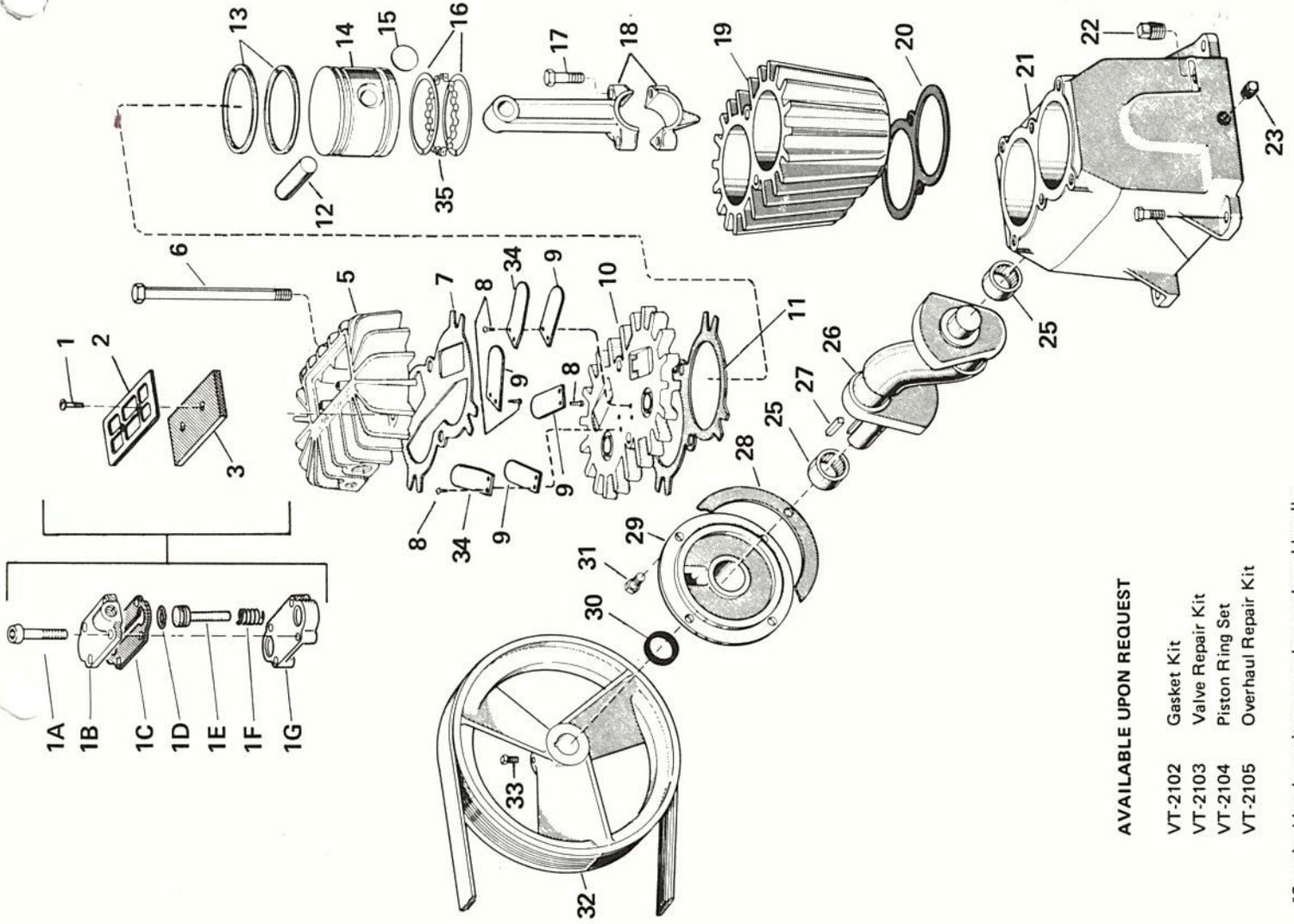
WARRANTY

PAINT SPRAYER/AIR COMPRESSORS — FULL ONE YEAR WARRANTY

If this paint sprayer/air compressor fails due to a defect in material or workmanship within one year from the date of purchase, return it to any Sears Store throughout the United States and we will repair it, free of charge.

SEARS, ROEBUCK AND CO.

TWIN CYLINDER COMPRESSOR



PARTS LIST

KEY PART NO.	DESCRIPTION
1	STD-424 Self Tapping Screw #10-24 x 5/16" lg. (2 used)
1A	*STD-318 Machine Screw - Filler Hd. #10-24 x 1-1/2" lg. (4 used)
1B	VT-16 Unloader Head
1C	XA-36 Unloader Gasket
1D	STD-317 "O" Rings (2 used)
1E	VT-14 Unloader Piston (2 used)
1F	VT-15 Springs (2 used)
1G	VT-13 Unloader Body
2	VT-9 Filter Retainer
3	VT-8 Filter Felt
5	VT-17 Filter Felt (used with unloader)
6	VT-4 Cylinder Head
7	VT-12 Cylinder Head (used with unloader)
8	*STD-218 Hex. Hd. Cap Screw 5/16"-18 x 5-1/2" lg. (6 used)
9	XA-35 Cylinder Head Gasket
10	*STD-203 Stick Screw #4-40 Hex Hd. (8 used)
11	VS-18 Flapper Valve (4 used)
12	VT-5 Valve Plate
13	XA-34 Valve Plate Gasket
14	VS-14 Piston Pin (2 used)
15	PX-11 Compression Rings (4 used)
16	VT-55 Piston (2 used)
17	STD-197 Welch Plugs (4 used)
18	PX-22 Oil Ring (4 used)
19	*STD-501 Hex. Hd. Cap Screw 1/4"-20 x 1-1/4" lg. (4 used)
20	VT-1 Connecting Rod (2 used)
21	VT-11 Cylinder
22	XA-33 Cylinder Gasket
23	VT-2004 Crankcase Assembly (With Bearings)
24	*STD-220 Pipe Plug Hex. Hd. - 1/4"
25	*STD-223 Pipe Plug Sq. Hd. - 1/8"
26	VT-6 Bearing (2 used)
27	VT-6 Crankshaft
28	*KE-9 Key 3/16" Sq. x 1" lg.
29	XA-32 Bearing Cap Gasket
30	VT-2003 Bearing Cap Assembly (With Bearings)
31	STD-216 Oil Seal
32	*STD-242 Hex. Hd. Cap Screw 1/4"-20 x 1/2" lg. (4 used)
33	PU-59 Flywheel, "V" Groove
34	*STD-262 Set Screw 3/8"-16 x 3/4" lg. Sq. Hd.
35	OP-79 Restrictor (2 used)
	PX-21 Expander (2 used)

AVAILABLE UPON REQUEST

VT-2102	Gasket Kit
VT-2103	Valve Repair Kit
VT-2104	Piston Ring Set
VT-2105	Overhaul Repair Kit

*Standard hardware item, may be purchased locally.

Sears

owners manual

TWIN CYLINDER COMPRESSOR

**MODEL NO.
106.175110**

HOW TO ORDER REPAIR PARTS

**SEARS SERVICE
IS AT YOUR SERVICE
WHEREVER YOU LIVE
OR MOVE
IN THE U.S.A.**

The model number will be found on the decal attached to the crankcase of the unit. Always mention the model number in all correspondence regarding the Sears Twin Cylinder Compressor, or when ordering repair parts.

HOW TO ORDER REPAIR PARTS

All parts listed herein may be ordered through SEARS, ROEBUCK AND CO. or SIMPSONS-SEARS LIMITED. When ordering parts by mail from the Catalog Merchandise Distribution Center which serves the territory in which you live, selling prices will be furnished on request or parts will be shipped at prevailing prices and you will be billed accordingly.

WHEN ORDERING REPAIR PARTS, ALWAYS GIVE THE FOLLOWING INFORMATION AS SHOWN IN THIS LIST:

1. THE PART NUMBER
2. THE PART NAME
3. THE MODEL NUMBER
4. THE NAME OF ITEM

**COAST TO COAST NATION-WIDE
SERVICE FROM SEARS
FOR YOUR SEARS
TWIN CYLINDER COMPRESSOR**

SEARS, ROEBUCK AND CO. and SIMPSONS-SEARS LIMITED in Canada back up your investment with quick, expert mechanical service and genuine SEARS replacement parts. If and when you need repairs or service, call on us to protect your investment in this fine piece of equipment.

**SEARS, ROEBUCK AND CO.
CHICAGO, ILL. 60684 U.S.A.**

SIMPSONS-SEARS LIMITED, TORONTO, CANADA